

RTD sensor with head for contact duct

TBCT 50 / TBCTD 50 TMCT 50 / TMCTD 50



Supplied with clip for DN 100 duct

TRANSMITTER FEATURES

Working temperature (according to reference)	<p>For mounting TBCT type</p> <p>From -50 °C to +400 °C (PT100 and PT1000)</p> <p>From -20 °C to +120 °C (NTC)</p> <p>For mounting TMCT type</p> <p>From -50 °C to +250 °C (PT100 and PT1000)</p> <p>From -20 °C to +120 °C (NTC)</p>
Accuracy	<p>PT100 or PT1000: see "Tolerances" table</p> <p>NTC: see "Tolerances" table</p>
Type of sensor	<p>PT100 or PT1000: Class B, Class A, 1/3 DIN as per DIN IEC751</p> <p>NTC: resistance at 25 °C, $R_{25} = 10K\Omega$</p> <p>Nominal Beta B25/85 value = 3.695K ±1%</p>
Storage temperature	From -20 °C to +80 °C
Height of clearance	45 mm
Duct base	<p>40 x 16 x 8,5 mm</p> <p>V-section</p> <p>Fixing by needle screw</p> <p>AU4G material (aluminium)</p>
Fitting	Supplied with stainless steel clip for DN 100, other clip on request
Electrical connection	With or without terminal block 4/20 mA transmitter as option
Connection head	<p>Aluminium alloy</p> <p>Cable gland: M20 x 1.5</p> <p>IP65 protection</p>

PROBE FEATURES

- Temperature sensor with base for all diameters ducts
- Measuring range (according to reference)
 - From -50 °C to +400 °C (PT100 et PT1000).
 - From -20 °C to +120 °C (NTC).
- Mounting of wires: **single pair** (2,3 or 4 wires).
multipair (4 or 6 wires).
- For other resistor type PT25, PT50, PT500, PT200 or NI, please contact us.



Mounting of wires

For mounting TBCT type

Single pair 2, 3 or 4 wires or multipair 4 or 6 wires

No 6 wires for H mounting (+400 °C)

For mounting TMCT type

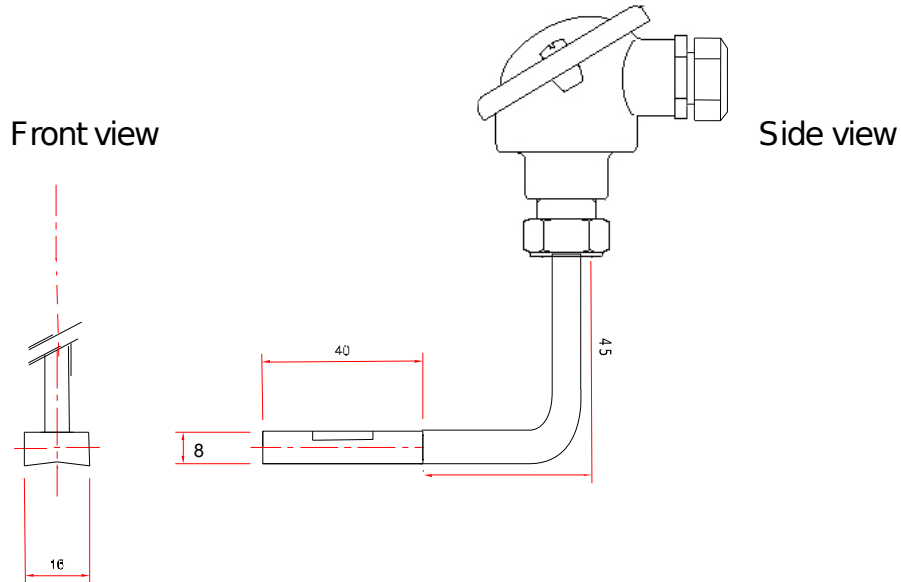
Single pair 2, 3 wires

Or multipair 4 wires only

TBCT 50 & TBCTD 50

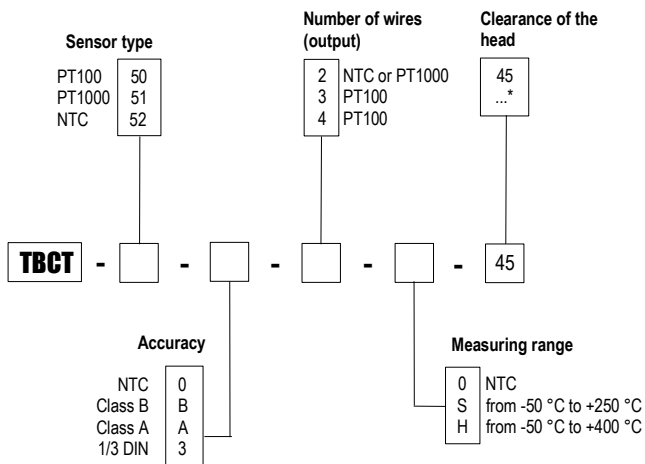
Temperature sensor with standard head and with contact for duct

PROBE DIMENSIONS

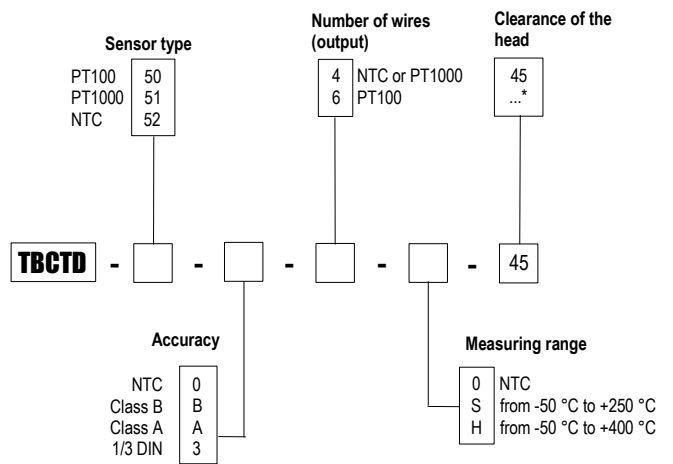


PART NUMBERS

• Single pair sensor – Ref. TBCT 50



• Multipair sensor – Ref. TBCTD 50



Example: TBCT51-B-2-S-45

Model: PT1000 temperature sensor Class B, 2 wires, clearance of the head at 45°. Measuring range from -50 à +250 °C.

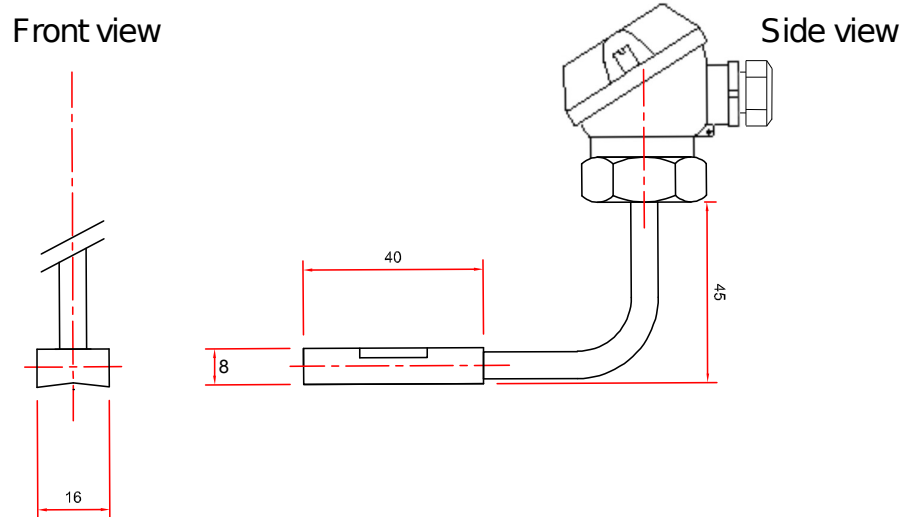
Example: TBCTD51-B-4-S-45

Model: PT1000 temperature sensor Class B, 4 wires, clearance of the head at 45°. Measuring range from -50 à +250 °C.

TMCT 50 & TMCTD 50

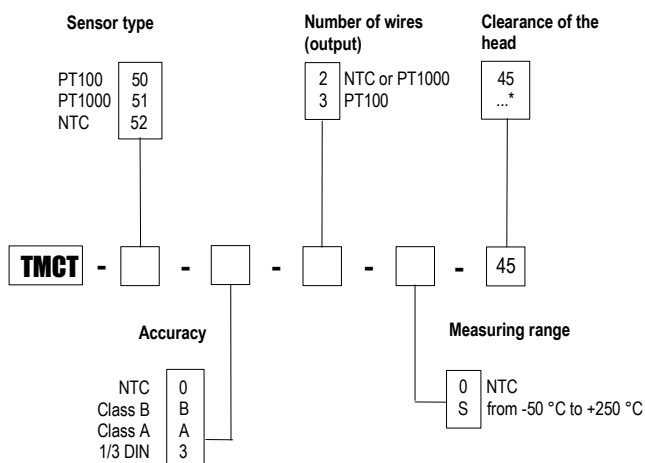
Temperature sensor with miniature head and with contact for duct

DIMENSIONS PROBE



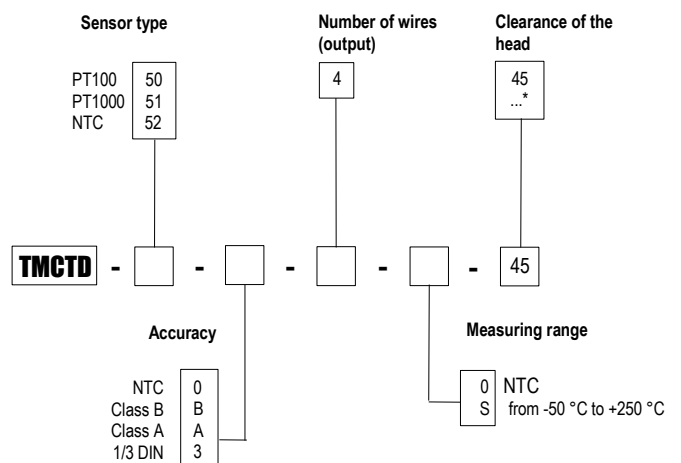
PART NUMBERS

• Single pair sensor – Ref. **TMCT 50**



* Other on request

• Multipair sensor – Ref. **TMCTD 50**



* Other on request

Example: TMCT51-B-2-S-45

Model: PT1000 temperature sensor Class B, 2 wires, clearance of the head at 45°. **Measuring range from -50 à +250 °C.**

Example: TMCTD51-B-4-S-45

Model: PT1000 temperature sensor Class B, 4 wires, clearance of the head at 45°. **Measuring range from -50 à +250 °C.**

TOLERANCE* OF PT100 AND PT1000 PROBES

Norm as per IEC 751 (1993).

Temp °C	Tolerances					
	Class B		Class A		1/3 DIN	
	± °C	± Ohms	± °C	± Ohms	± °C	± Ohms
-100	0.8	0.32	0.35	0.14	0.27	0.11
-50	0.55	0.22	0.25	0.1	0.19	0.08
0	0.3	0.12	0.15	0.06	0.1	0.04
100	0.8	0.3	0.35	0.13	0.27	0.1
200	1.3	0.48	0.55	0.2	0.44	0.16
300	1.8	0.64	0.75	0.27	0.6	0.21
400	2.3	0.79	0.95	0.33	0.77	0.26

*Resistance values for PT1000 (Ω) must be multiplied by 10 for the same corresponding temperature value (°C). I.e: at 0 °C for Class B PT1000 ± 0.3 °C → ± 1.2 Ω

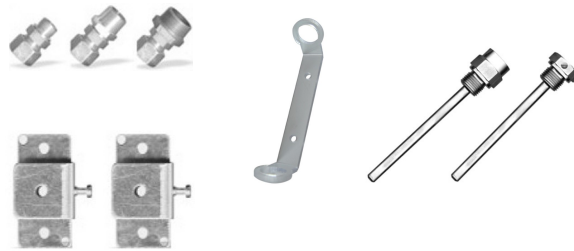
TOLERANCE* OF NTC PROBES

Measuring range °C	Tolerances °C
From -20 °C to 0 °C	± 0.5 °C
From 0 °C to +70 °C	± 0.2 °C
From +70 °C to +100 °C	± 0.5 °C

*all accuracies indicated in this technical data sheet were stated in laboratory conditions, and can be guaranteed for measurements carried out in the same conditions, or carried out with calibration compensation.

ACCESSORIES (SEE DATASHEET)

- Transmitter output 4/20 mA or 0/10 V
- Wall fixing support
- Stainless steel mounting brackets
- ¼" or ½" Gas screw nut
- Stainless steel compression fitting
- PTFE or stainless steel ferrule for compression fittings
- Sleeve to weld for food industry
- Stainless steel union fitting
- ½" Gas or NPT thread cuff
- Thermo-conducting silicone grease
- Calibration certificate
- Thermowell



www.kimo.fr

Distributed by :



EXPORT DEPARTMENT

Tel : + 33. 1. 60. 06. 69. 25 - Fax : + 33. 1. 60. 06. 69. 29

e-mail : export@kimo.fr