

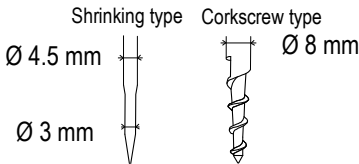
T handle temperature probe with cable at resistive element

SFPPT 50 / SFPPTD 50

PROBE FEATURES

- Temperature insertion probe mounted on T handle.
- Measuring ranges (according to cable):
From -50 °C to +400 °C (PT100 and PT1000).
From -20 °C to +120 °C (CTN).
- **2-wire output (SFPPT) or 4-wire output (SFPPTD) for NTC and PT1000**
- **3-4 wire output (SFPPT) or 6-wire output (SFPPTD) for PT100.**
- For other resistance types PT25, PT50, PT500, PT200 or NI, please contact us.

Penetration end piece



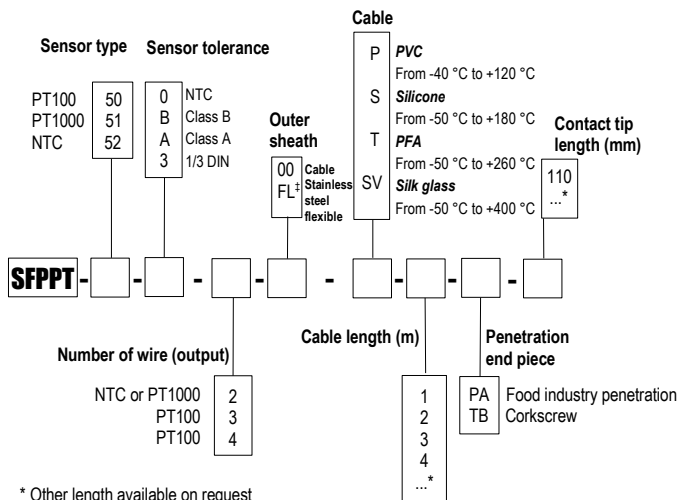
TECHNICAL FEATURES

Operating temperature (according to cable)	From -50 °C to +400 °C (PT100 and PT1000) From -20 °C to +120 °C (NTC)
Accuracy *	PT100 or PT1000: see "Tolerances" table NTC: see "Tolerances" table
Sensor type	PT100 or PT1000: class B, class A, 1/3 DIN as per DIN IEC751 NTC: resistance at 25°C, R ₂₅ = 10KΩ Nominal Beta value B25/85 = 3.695K ±1%
Storage temperature	From -20 °C to +80 °C
Operating temperature of cable	Shielded PVC: from -40 °C to +120 °C Silicone: from -50 °C to +180 °C Shielded PFA: from -50 °C to +260 °C Silk glass with stainless steel braid: from -50 °C to +400 °C
Mounting of cable outlet	With shrinking type penetration end piece: unremovable PE output With corkscrew type penetration end piece: detachable Jack output
Contact tip	Ø 4.5 or 8 mm in stainless steel 316 L, choice of length Sewing contact tip corkscrew (to screw): contact tip diameter 8 mm Ø only Shrinking: contact tip Ø 4.5 mm and shrinking Ø 3 mm

PART NUMBERS

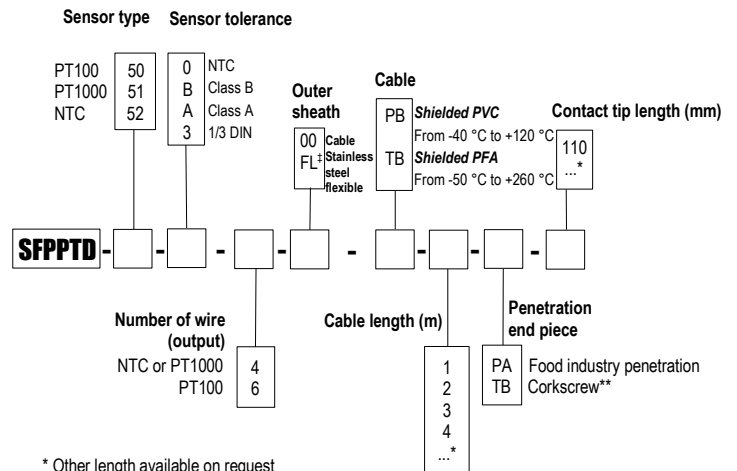
T handle probes are available with **simple pair or multipair electrical assembly:**

• Single pair probe – Ref. SFPPT 50



* Other length available on request
‡ impossible for probe with corkscrew contact tip

• Multipair probe – Ref. SFPPTD 50



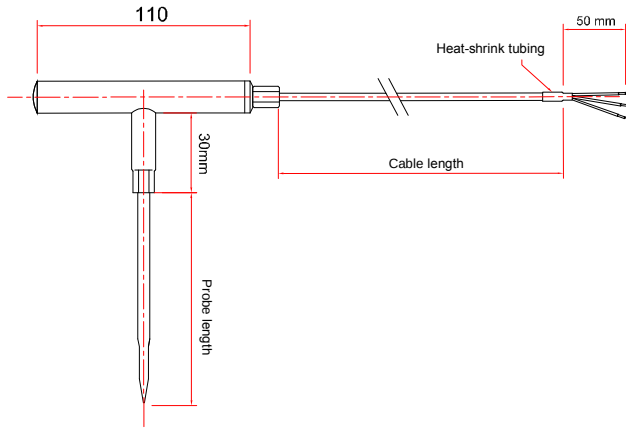
* Other length available on request
‡ impossible for probe with corkscrew contact tip
**No Jack plug output

Example: SFPPT50-B-3-00-P-2-PA-110
Model: PT100 temperature probe, Class B, 3 wires, outer sheath in PVC cable of length 2 m. Stainless steel contact tip 4.5 mm Ø for food industry penetration of length 110 mm with shrinking type penetration end piece. **Measuring range from -40 to +120 °C.**

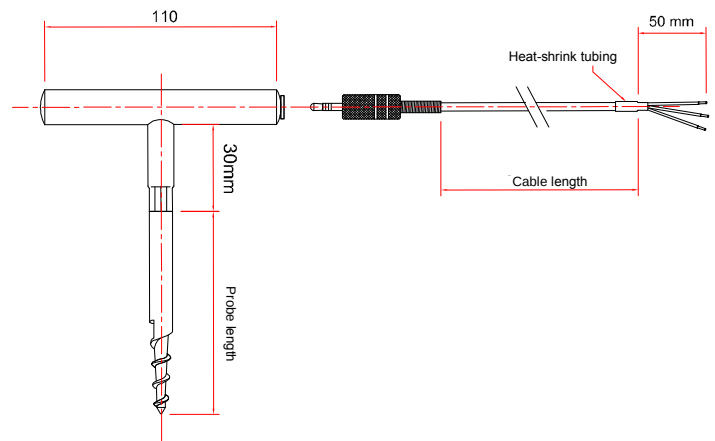
Example: SFPPTD50-A-6-00-TB-2-PA-110
Model: PT100 temperature probe, Class A, multipair assembly 6 wires, outer sheath in shielded PFA cable of length 2 m. Stainless steel contact tip 4.5 mm Ø for food industry penetration of length 110 mm with shrinking type penetration end piece. **Measuring range from -50 to +260 °C.**

PROBES DIMENSIONS

• Probe with smooth contact tip



• Probe with corkscrew contact tip



TOLERANCE* OF PT100 AND PT1000 PROBES

As per IEC 751 (1993) norm.

Temp °C	Tolerances					
	Class B		Class A		1/3 DIN	
-100	± 0.8 °C	± 0.32 Ohms	± 0.35 °C	± 0.14 Ohms	± 0.27 °C	± 0.11 Ohms
-50	± 0.55 °C	± 0.22 Ohms	± 0.25 °C	± 0.1 Ohms	± 0.19 °C	± 0.08 Ohms
0	± 0.3 °C	± 0.12 Ohms	± 0.15 °C	± 0.06 Ohms	± 0.1 °C	± 0.04 Ohms
100	± 0.8 °C	± 0.3 Ohms	± 0.35 °C	± 0.13 Ohms	± 0.27 °C	± 0.1 Ohms
200	± 1.3 °C	± 0.48 Ohms	± 0.55 °C	± 0.2 Ohms	± 0.44 °C	± 0.16 Ohms
300	± 1.8 °C	± 0.64 Ohms	± 0.75 °C	± 0.27 Ohms	± 0.6 °C	± 0.21 Ohms
400	± 2.3 °C	± 0.79 Ohms	± 0.95 °C	± 0.33 Ohms	± 0.77 °C	± 0.26 Ohms

Resistance values for PT1000 (Ω) must be multiplied by 10 for the same corresponding temperature
 I.e: at 0 °C for PT1000 Class B ± 0.3 °C → ± 1.2 Ω

TOLERANCES* OF NTC PROBES

Measuring range °C	Tolerances °C
From -20 °C to 0 °C	± 0.5 °C
From 0 °C to +70 °C	± 0.2 °C
From +70 °C to +100 °C	± 0.5 °C

* Performed in laboratory conditions, the above accuracies mentioned in this document will be guaranteed, provided that you use the calibration compensation data or identical calibration conditions.

ACCESSORIES (SEE DATASHEET)

- DIN Rail transmitter output 4/20 mA or 0/10 V
- Calibration certificate

www.kimo.fr

Distributed by :



EXPORT DEPARTMENT
 Tel : + 33. 1. 60. 06. 69. 25 - Fax : + 33. 1. 60. 06. 69. 29
 e-mail : export@kimo.fr